

FEATURE

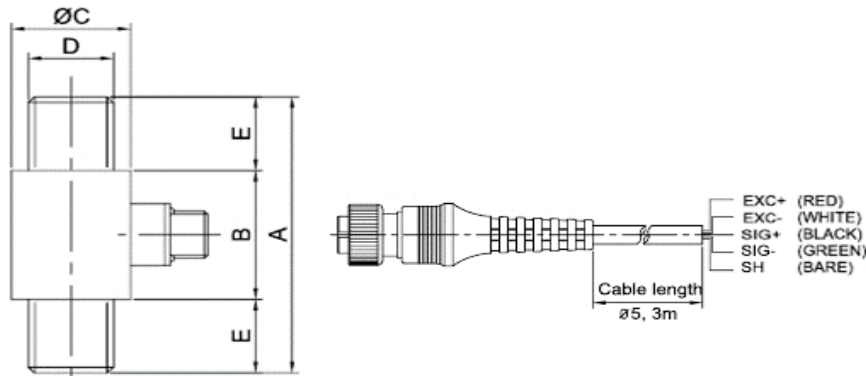
- . 인장, 압축형 로드셀
- . 중고 중량의 인장시험에 적합

SPECIFICATION

MODEL	CTX
Rated capacity (R.C.)	100, 200, 500kgf, 1, 2, 3, 5, 10, 20, 50, 100, 200, 300tf
Rated output (R.O.)	1.0mV/V \pm 1%
Nonlinearity	0.15% R.O.
Hysteresis	0.15% R.O.
Repeatability	0.1% R.O.
Creep for 30 min	0.05% R.O.
Zero balance	\pm 1%
Temp. effect on rated output	\pm 0.01% LOAD/10 $^{\circ}$ C
Temp. effect on zero balance	\pm 0.02% R.O / 10 $^{\circ}$ C
Temperature range.compensated	-10 ~ 60 $^{\circ}$ C
Temperature range. Safe	-20 ~ 80 $^{\circ}$ C
Terminal resistance, input	350 \pm 5%
Terminal resistance, output	350 \pm 5%
Insulation resistance	2000M Ω
Excitation recommended	10V
Safe overload	120% R.C
Cable length	\varnothing 5, 4core, 3m



- Cable
Braided Shield 4-wire round cable
with PVC-jacket



DIMENSION (mm)

Rated Capacity	A	B	\varnothing C	D	E
100, 200, 500kgf	75	35	28	M16 \times 1.5	20
1, 2tf	75	35	28	M20 \times 1.5	20
3tf	75	35	28	M20 \times 1.5	20
5tf	75	35	33	M24 \times 2.0	20
10tf	170	100	62.5	M39 \times 2.0	35
20tf	190	100	63	M39 \times 2.0	50
50tf	245	105	85	M64 \times 2.0	70
100tf	340	140	115	M80 \times 2.0	100
200tf	390	160	150	M110 \times 2.0	115
300tf	450	194	169	M125 \times 4.0	128