

FEATURE

- . 고정밀의 압축 & 인장 로드셀
- . 계량시스템, 압입 하중 관리용이나 정밀한 하중 시험기에 적합

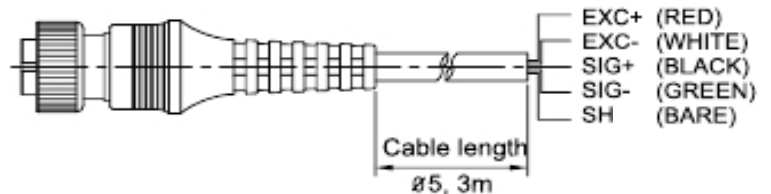
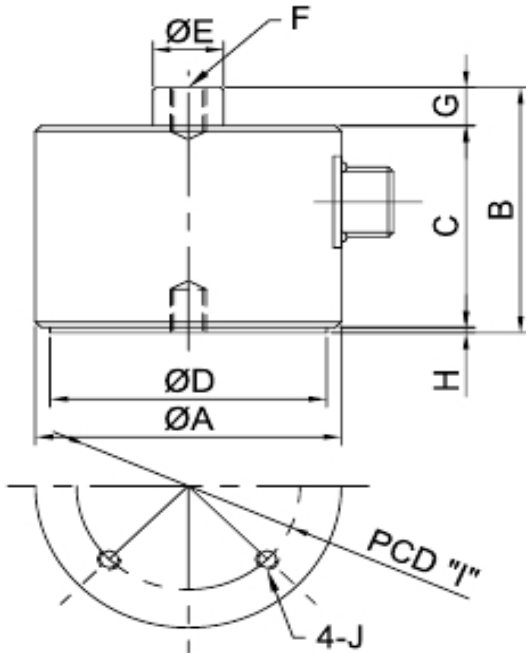
SPECIFICATION

MODEL	CUMI
Rated capacity (R.C.)	1, 2, 5, 10, 20, 50, 100, 200 500kgf, 1, 2tf
Rated output (R.O.)	2.0mV/V \pm 1% (1~5kg=1.0mV/V)
Zero balance	\pm 2% R.O.
Combined error	0.03% R.O.
Repeatability	0.03% R.O.
Creep for 30 min	0.03% R.O.
Temp. effect on zero value	0.1% / 10 $^{\circ}$ C
Temp. effect on output value	0.05% / 10 $^{\circ}$ C
Excitation maximum	10V DC
Terminal resistance, input	350 \pm 3.5 Ω
Terminal resistance, output	350 \pm 3.5 Ω
Insulation resistance	> 2000M Ω @ 50V DC
Compensated temperature range	-10 to +50 $^{\circ}$ C
Operating temperature range	-20 to +70 $^{\circ}$ C



- Material
Anodized aluminum

- Cable
Braided Shield 4-wire round cable
with PVC-jacket



DIMENSION (mm)

Rated Capacity	ØA	B	C	ØD	ØE	F	G	H	I	J
1kgf	52	45	37	47	10.5	M6 \times 1.0 DP8	7	1	38	4-M4 DP6
2.5kgf	52	45	37	47	12	M6 \times 1.0 DP8	7	1	38	4-M4 DP6
10,20,50,100,200,500kgf,1tf	60	80	73	50	20	M12 \times 1.75 DP15	5	2	40	4-M5 DP10
2tf	88	110	102	80	35	M18 \times 1.5 DP22	2	3	55	4-M6 DP12