

FEATURE

- . Shear beam load cell
- . Optimal for platform scale of tank and hopper
- . Protection class : IP66

SPECIFICATION

MODEL	CBSA
Rated capacity (R.C.)	250, 500 kgf, 1, 2, 3, 5 tf
Rated output (R.O.)	3.0 ± 0.0075 mV/V
Zero balance	0 ± 0.03 mV/V
Combined error	0.03% R.O.
Repeatability	0.01% R.O.
Creep for 30 min	0.03% R.O.
Temp. effect on zero value	0.028% / 10°C
Temp. effect on output value	0.015% / 10°C
Excitation recommended	10V DC
Excitation maximum	15V DC
Terminal resistance, input	350 ± 3.5Ω
Terminal resistance, output	350 ± 3.5Ω
Insulation resistance	>2000MΩ @ 50V DC
Compensated temperature range	-10 to +40°C
Operating temperature range	-30 to +80°C



- Mounting

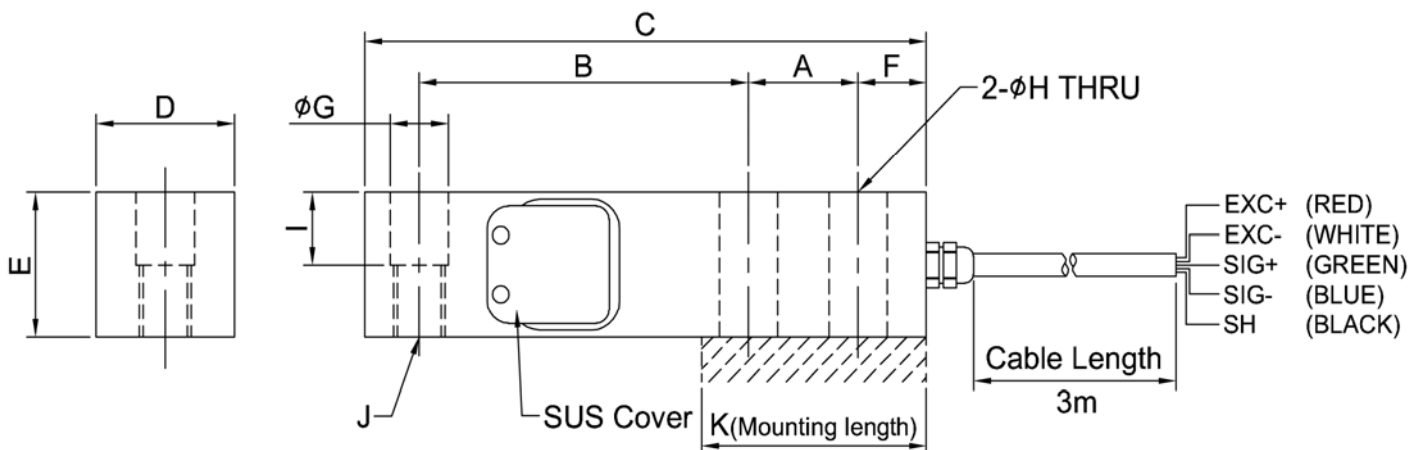
Capacity	Hexagon head-Bolt	Tightening torque
250kgf ~2tf	M12 x 1.75(10.9)	100Nm
3tf ~ 5tf	M18 x 1.5(10.9)	350Nm

- Material

Nickel plated steel

- Cable

Braided Shield 4-wire round cable with PVC-jacket



DIMENSION (mm)

Rated Capacity	A	B	C	D	E	F	φG	φH	I	J	K
250, 500kgf 1, 2tf	25.4	76.2	130	32	32	15.8	13.5	13.5	16	M12x1.75	52
3, 5tf	38.1	95.3	171.5	38	38	19	20	20	19	M18x1.5	76.2