

FEATURE

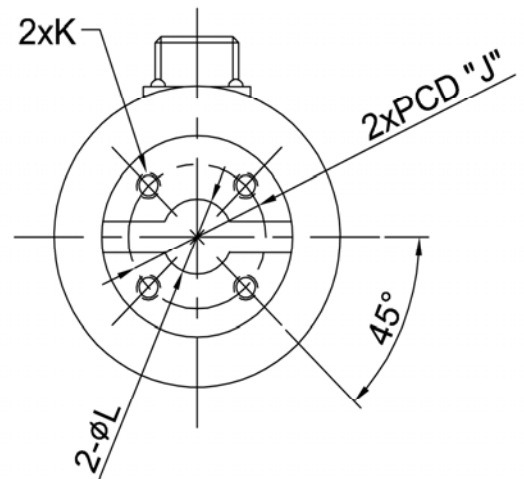
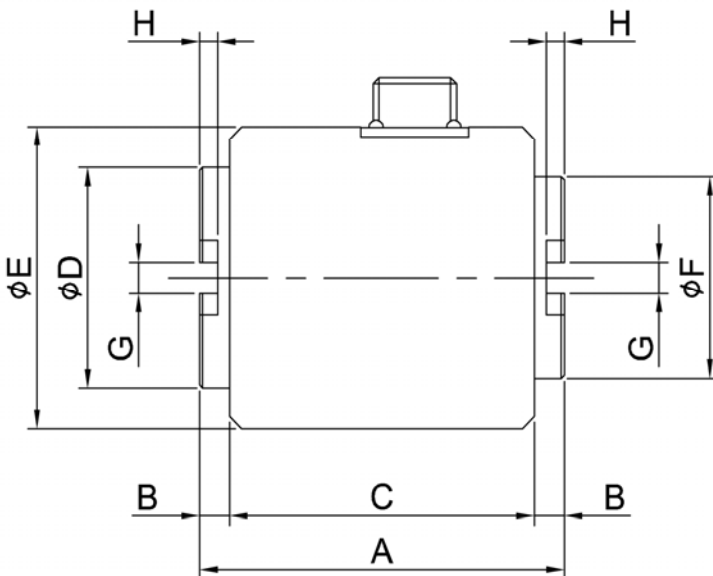
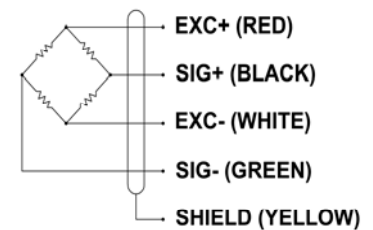
- 플랜즈 타입의 비회전형 토크센서
- 컴팩트한 디자인이며 설치가 간편
- 고정된 기기 또는 0~90도 각도내에서 토크측정
- 제품 파단시험, 감속기, 각종 액츄에이터 토크측정

SPECIFICATION

MODEL	TNN
Rated capacity (R.C.)	20, 50, 100, 200, 500, 1000, 2000 kgf·cm
Rated output (R.O.)	1.5 ± 0.4mV/V
Non-linearity	≤ 0.3% R.O.
Hysteresis	≤ 0.3% R.O.
Non-repeatability	≤ 0.3% R.O.
Terminal resistance, input	350Ω ± 1%
Terminal resistance, output	350Ω ± 1%
Insulation resistance	> 1000MΩ @ 30V DC
Temp. effect on rated output	≤ 0.1% LOAD/10°C
Temp. effect on zero balance	≤ 0.1% R.O./10°C
Temp. range compensated	-10 to 60°C
Excitation Voltage	5V, 10V DC
Safe overload	150% R.C.
Cable	φ4 shield 3m



WIRING INFORMATION



DIMENSION (mm)

Rated Capacity	A	B	C	φD	φE	φF	G	H	J	K	φL
20, 50, 100 kgf·cm	54	4	46	26	38	23	4	2.5	16.5	4-M3 TAP DP 7	8
200, 500 kgf·cm	61	5	51	35	48	32	5	3	23	4-M4 TAP DP 10	12
1000, 2000 kgf·cm	70	6	58	45	58	42	6	3.5	30	4-M5 TAP DP 10	15