

FEATURE

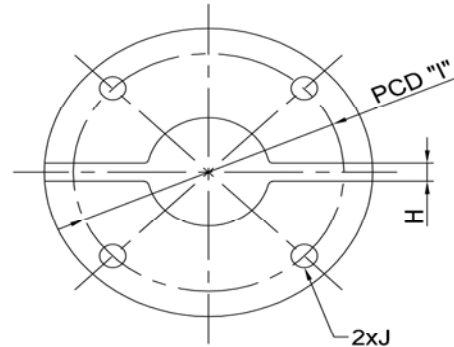
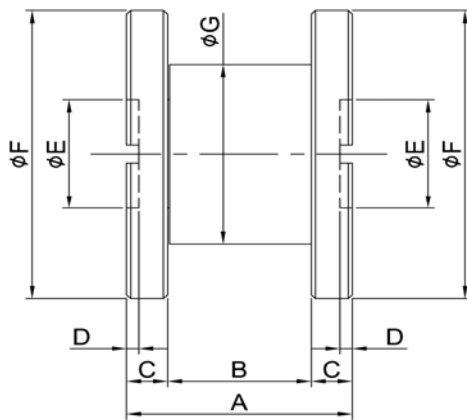
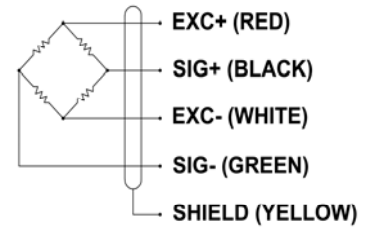
- 플랜즈 타입의 비회전형 토크센서
- 컴팩트한 디자인이며 설치가 간편
- 고정된 기기 또는 0~90도 각도내에서 토크측정
- 제품 파단시험, 감속기, 각종 액츄에이터 토크측정
- 주문제작 가능 : 1000kgf.m, 2000kgf.m

SPECIFICATION

MODEL	TFF
Rated capacity (R.C.)	50, 100, 200, 500, 1000, 2000, 5000, 10000, 20000, 50000 kgf.cm
Rated output (R.O.)	1.5 ± 0.4mV/V
Non-linearity	≤ 0.3% R.O.
Hysteresis	≤ 0.3% R.O.
Non-repeatability	≤ 0.3% R.O.
Terminal resistance, input	350Ω ± 1%
Terminal resistance, output	350Ω ± 1%
Insulation resistance	> 1000MΩ @ 30V DC
Temp. effect on rated output	≤ 0.1% LOAD/10°C
Temp. effect on zero balance	≤ 0.1% R.O./10°C
Temp. range compensated	-10 to 60°C
Excitation Voltage	5V, 10V DC
Safe overload	150% R.C.
Cable	φ4 shield 3m



WIRING INFORMATION



DIMENSION (mm)

Rated Capacity	A	B	C	D	φE	φF	φG	H	I	J
10, 20, 50kgf·cm	55	35	10	3	30	80	50	5	66	4-φ6.5
100, 200kgf·cm	55	35	10	3	30	80	50	5	66	4-φ6.5
500, 1000kgf·cm	55	35	10	3	30	80	50	5	66	4-φ6.5
2000kgf·cm	80	50	15	3	40	98	50	10	78	6-φ10.5
5000kgf·cm	120	80	20	5	60	118	75	12	95	6-φ10.5
10000kgf·cm	130	90	20	6	60	146	75	16	115	6-φ14
20000kgf·cm	140	90	25	7.5	60	166	88	20	130	6-φ18
50000kgf·cm	170	100	35	10	80	197	98	28	155	6-φ20